

STARFIBER 150/300 P

LONG PULSE FIBER LASER

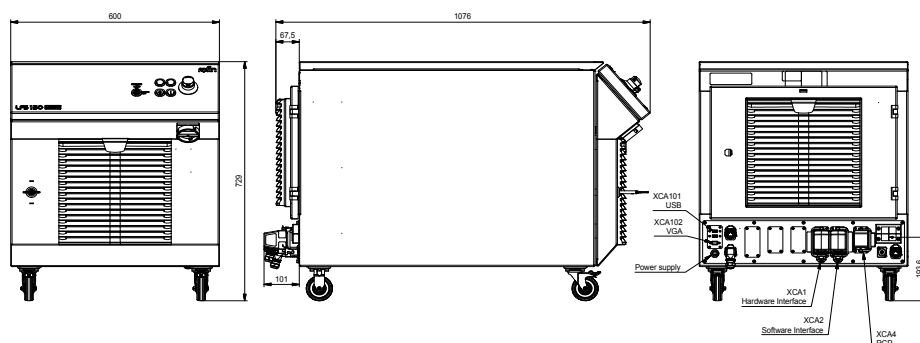
ROFIN's pulsed fiber laser StarFiber 150/300 P combines high pulse energy and peak power with high beam quality and is characterized by high electrical efficiency, low maintenance and compact design. It is the economic solution for demanding cutting, welding and drilling applications. The StarFiber 150 P is available as a multimode or singlemode source – the StarFiber 300 P comes as a multimode source. These air-cooled lasers exceed the requirements of flexible industrial production and their modern industrial interface makes them easy to integrate.

Features

- High peak power (1.5 kW, 3.0 kW) combined with high pulse energy (15 J / 30 J) and high beam quality. Thus cutting, drilling and scribing becomes faster, more precise. It also cuts thick, hard and brittle materials like sapphire, PCD or ceramics in a very high quality
- High peak power (1.5 kW, 3.0 kW) for welding of highly reflective materials
- High aspect ratio single shot and percussion drilling at high productivity
- Scribing of brittle materials
- Wide range of ROFIN application packages for fine cutting, welding and drilling



STARFIBER 150/300 P



Specifications

Laser source		StarFiber 150 P	StarFiber 300 P
Laser type		pulsed fiber laser	
Wavelength	nm	1070	
Pulse length max.	ms	50	
Pulse energy, max.	J	15	30
Pulse repetition rate max.	kHz	50	
Average power max.	W	150	300
Pulse power	kW	1.5	3
Average power cw, max.	W	250	300
Long-term stability		± 1%	
Red aiming beam	mW	0.5	
Fiber beam delivery			
Fiber Type		single-mode (SM) or multimode (MM)	multimode (MM)
Fiber length		3.7 m (SM) or 4.7 m (MM), non-detachable	
Minimum bending radius	mm	min. 50	
Compatible with		FLBK 60, Double/Triple FLBK, FLBK SC, LLDROP, Scanner	
Electric			
Supply voltage		100 - 240 V, 50/60 Hz, 1P + N + PE	
Power consumption	W	1500	1500
Cooling			
Type of chiller		air-cooled	
Weight			
Laser source in housing	kg	80	90
19" OEM version		50	80
Dimensions			
Laser source in housing	(W x H x D)	600 x 729 x 1076	
19" OEM version		(19" x 8 HU x 610 mm)	(19" x 9 HU x 610 mm)
Ambient conditions			
Ambient temperature max.	°C	10 – 35	
Relative humidity max.		5 – 80 % (non condensing)	
Emissions			
Heat dissipation approx.	kW	1.25	
Noise at 1m, idle	dBA	60	
Options			
RCP operate panel; RTI control interface; galvo interface			
Compliance with standards			
CE compliant			

ROFIN-BAASEL Lasertech
GmbH & Co.KG
Petersbrunner Str. 1b
82319 Starnberg
Phone: +49 (0)8151-776-0
Fax: +49 (0)8151-776-4159
E-mail: sales-micro@rofin.de

ROFIN-SINAR Laser GmbH
Berzeliusstr. 87 22113 Hamburg
Phone: +49(0)40-7 33 63-0
Fax: +49(0)40-7 33 63 4100
E-mail: info-macro@rofin.de

ROFIN-SINAR Laser GmbH
Dieselstr. 15 85232 Bergkirchen
Phone: +49(0)81 31-704-0
Fax: +49(0)81 31-704 4100
E-mail: info-marking@rofin.de

WWW.ROFIN.COM

Benelux: Phone: +31 78 69310-37
E-mail: info@rofin-baasel.nl

CA: Phone: +1 905 607-0400
E-mail: info-canada@rofin-inc.com

CH: Phone: +41 32 322-1010
E-mail: info@rofin-lasag.ch

CN: Phone: +86 21 68552216
E-mail: info@rofin-baasel.com.cn

ES/PT: Phone: +34 93 4770-644
E-mail: info@rofin-es.com

F: Phone: +33 1 6911-3636
E-mail: info@rofin.fr

IN: Phone: +91 22 276125-1
E-mail: info@rofin.in

IT: Phone: +39 039 2729-1
E-mail: info@rofin.it

JP: Phone: +81 46 229-8655
E-mail: info@rofin-baasel.co.jp

KR: Phone: +82 2 837-1750
E-mail: info@rofin.co.kr

SG: Phone: +65 6482-1091
E-mail: reception@rofin-baasel.com.sg

TW: Phone: + 886 2 2790-1300
E-mail: info@rofin-baasel.com.tw

UK: Phone: +44 1327 701-100
E-mail: sales@rofin-baasel.co.uk

US: Phone: +1 734 455-5400
E-mail: info@rofin-inc.com

Find further representatives and partners on: www.rofin.com/worldwide

